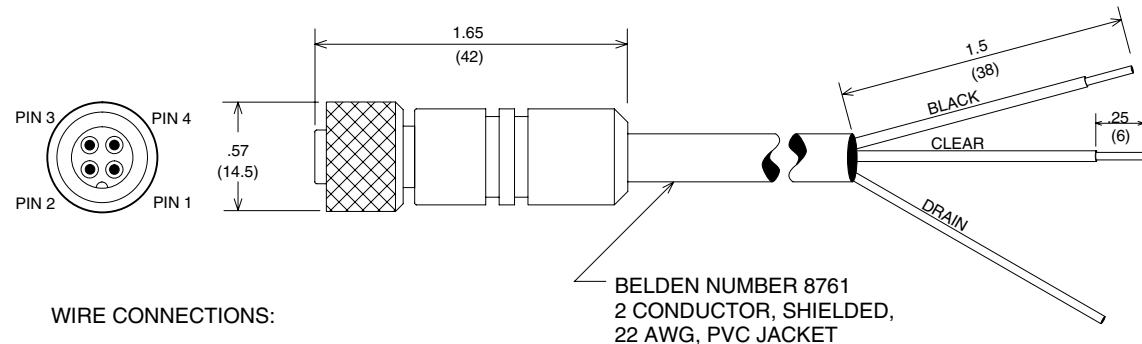


LETTER	REVISION RECORD	DATE	APPRVD



WIRE CONNECTIONS:

- PIN 1 - BLACK
- PIN 2 - NO CONNECTION
- PIN 3 - NO CONNECTION
- PIN 4 - CLEAR

DRAIN WIRE NOT CONNECTED

OVERALL CABLE LENGTH: 10 FEET (3 METERS)

TOLERANCES UNLESS OTHERWISE SPECIFIED: Metric: Inches: XX.X = ±0.25 mm XX.XX = ± 0.01" XX.XX = ±0.125 mm XX.XXX = ± 0.005" XX.XXX = ±0.050 mm XX.XXXX = ± 0.0020" Angles = ± 1 degree		PRIME CONTROLS, INC. Dayton, Ohio	
REMOVE ALL UNNECESSARY SHARP EDGES. SURFACES TO BE CLEAN AND FREE OF DEFECTS.		TITLE CABLE ASSEMBLY 2 CONDUCTOR, 3M, SHIELDED	
DRAWN MICHAUD	DATE 10/20/95	SIZE A	SHEET 1 of 1 SCALE 1:1
CHECKED 	APPROVED 	REV. 	DWG. NO. 106070