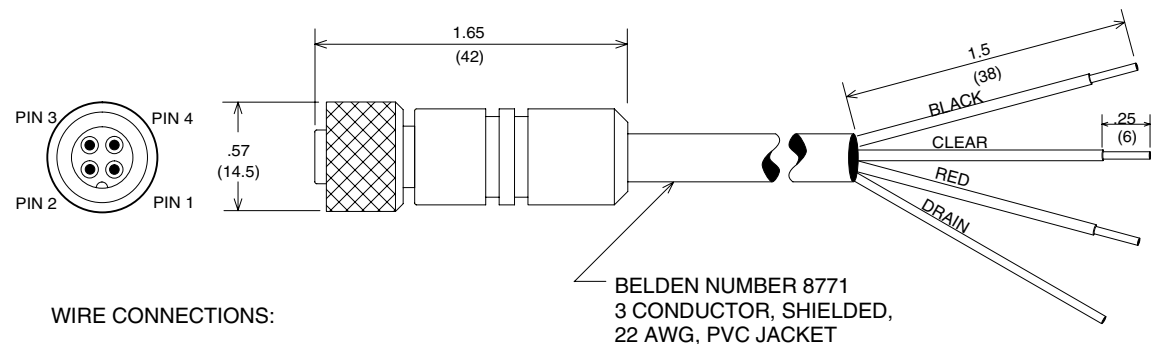


LETTER	REVISION RECORD	DATE	APPRVD



WIRE CONNECTIONS:

- PIN 1 - BLACK
- PIN 2 - NO CONNECTION
- PIN 3 - CLEAR
- PIN 4 - RED

DRAIN WIRE NOT CONNECTED

BELDEN NUMBER 8771
3 CONDUCTOR, SHIELDED,
22 AWG, PVC JACKET

OVERALL CABLE LENGTH: 10 FEET (3 METERS)

TOLERANCES UNLESS OTHERWISE SPECIFIED:

Metric:	Inches:
XX.X = ±0.25 mm	XX.XX = ±0.01"
XX.XX = ±0.125 mm	XX.XXX = ±0.005"
XX.XXX = ±0.050 mm	XX.XXXX = ±0.0020"
Angles = ±1 degree	

REMOVE ALL UNNECESSARY SHARP EDGES.
SURFACES TO BE CLEAN AND FREE OF DEFECTS.

DRAWN	DATE
MICHAUD	10/20/95
CHECKED	
APPROVED	

PRIME CONTROLS, INC. Dayton, Ohio	
TITLE CABLE ASSEMBLY 3 CONDUCTOR, 3M, SHIELDED	
SIZE	SHEET
A	1 of 1
SCALE	1:1
REV.	DWG. NO.
	106068